

WAVE Care 800

Wall Faced Dual Flush Toilet Suite

SPECIFICATIONS

Features

WELS 4 Star Rated L07435

- Rimless Pan
- Gloss White Ceramic
- Soft close single flap seat with lateral side buffers
- Stainless steel Bar hinge for seat
- 4.5L/3L dual flush
- Easy Height Pan
- 7 year warranty replacement, 1 year components and labour
- Dual Raised Buttons
- AS1428.1 compliant

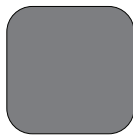


Care Backrest: 20041

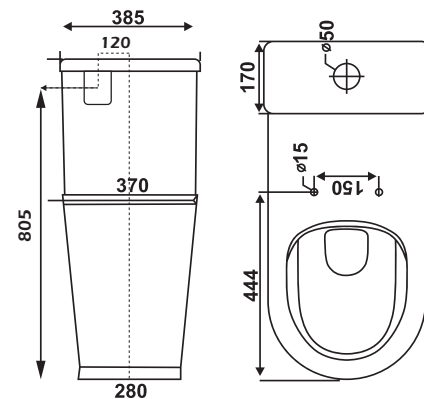
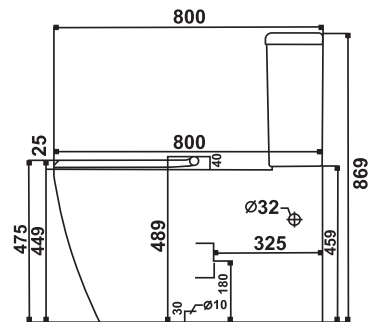
Optional not included



OK-06600B
Blue Seat and Buttons



OK-06600G
Grey Seat and Buttons



Cleaning & Care

- Clean only with warm water, soft cloth and mild soap or detergent
- Do not use any abrasive or harsh chemicals to clean toilet suite