

Ambulant Series Toilet Suites

SPECIFICATIONS

Features

WELS 4 star rated L0080

- White Gloss ceramic
- Full Vitreous China
- Quick release Duraplast heavy duty soft close seat
- Adjustable Lateral Movement buffers with seat
- 4.5L/3L Dual flush
- Back inlet only - Left side
- Available as P-Trap or S-Trap (65mm - 150mm)
- WDI Inlet and Outlet Valves
- 5 year warranty replacement product, 1 year components and labour
- Optional Vario bend MTJT increases S-trap range from 150mm to 220mm



Available in



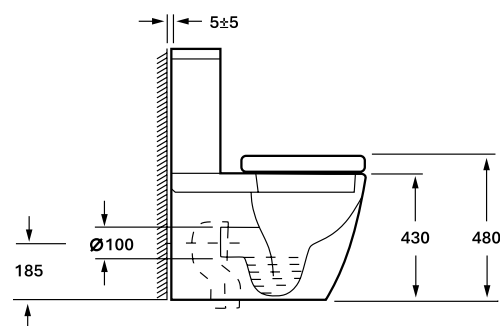
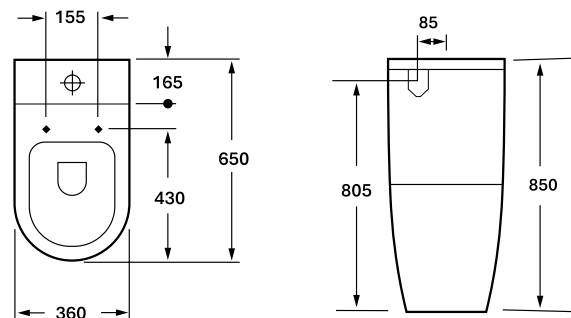
S Trap
OK-06601



P Trap
OK-06601

Cleaning & Care

- Quick release hinges easy for removal to clean toilet
- Clean only with warm water, soft cloth and mild soap or detergent
- Do not use any abrasive or harsh chemicals to clean toilet suite



Set Out Range Std Bend 65-150
(Optional) MTJT Bend 150-220

